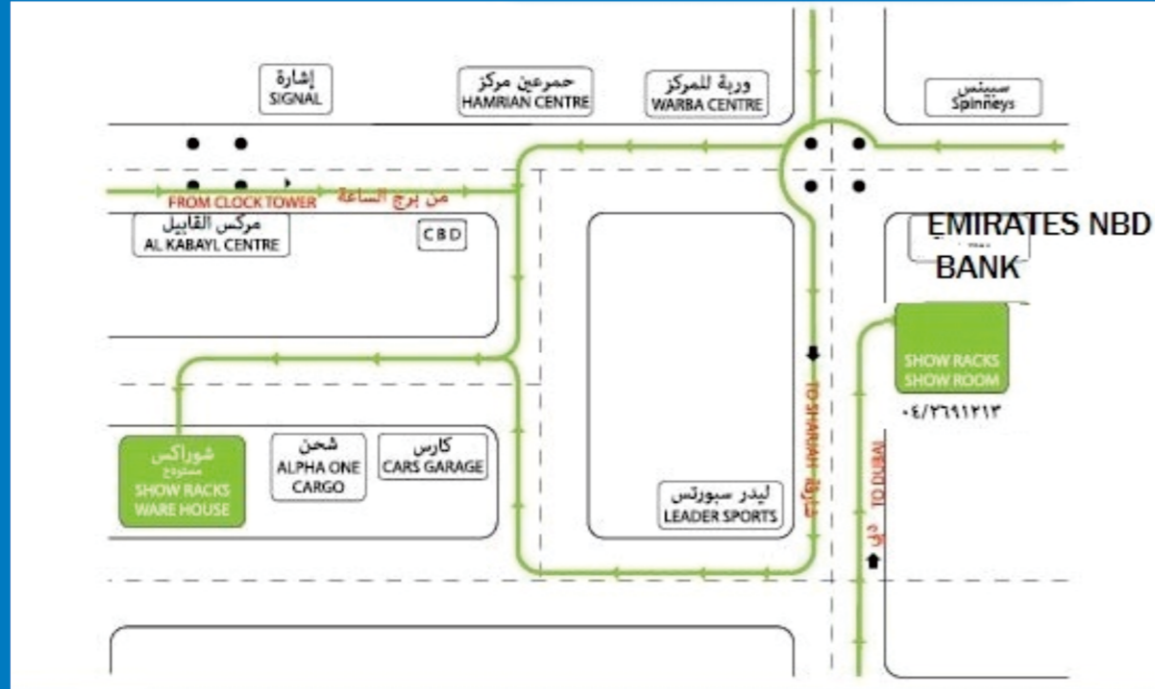


SHOWRACKS TRADING LLC

Address:Salahudin Road,Abu bakker Siddique station,Exit 2,
Main road,Deira,Dubai
Tel.:+971-42691213
Fax:+971-42665066
E-Catalogue:<http://sdrv.ms/M9NsTR>
Website:www.showracksdubai.com
Email:showrack@emirates.net.ae
Locattion:<http://goo.gl/6pheob>Map25.271399,55.334843
Location Map:Lat 25.271399,Long 55.334843
E-Catalogue:<http://sdrv.ms/M9NsTR>



AJMAN
SHOWRACK GEN SHOP EQUIPMENT TRADING.
Tel:067434049
Location Map:Lat 25.393820,Long 55.484483
Email:ajman@showrack.ae

OMAN
SHOWRACKS GOLDEN TRADING LLC
Wadi kabir,P.O.Box 1014 Postal Code:117 Sultanate of Oman
Tel:+968-24815807
Fax:+968-24815108
Mob.:+968-93105451
Location Map:Lat 23,581294,Long 58.561214
Email:showrack@omantel.net.om



Vol-9

شو راکس
للتجارة ذ.م.م.

SHOW RACKS
Trading L.L.C

SHOW RACKS TRADING

Showracks Trading was established in Dubai in 1991, when trade and commerce was at its peak in the GCC and neighbouring middle east countries.

From a modest beginning with a handful of employees, Show Racks embarked on an aggressive business promotion blitz and, coupled with our philosophy of ensuring “customer loyalty” by offering competitive price and excellent quality, we have earned the reputation of the leading One-Stop Shop Display specialists in the United Arab Emirates.

Our inventory comprises of an enormous and excellent range of equipment, fittings, shelving systems, check-out counters and trolleys, etc. for department stores and hypermarkets, slat boards and wire grille system for sports goods showrooms, novelties, stores, stationery and gifts shops; manequins, steam irons, hangers and chrome stands/racks for fashion boutiques and apparel stores; stacking systems for electronic and hardware shops, ship stores, groceries, etc.

The company also supplies several different models of freezers and chillers for supermarkets, butcheries, ice cream parlours, cold storage warehouses and chilled food products marts, the hospitality industry, restaurants and fast-food outlets, etc. for which there is an increasing demand every year.

20 years down the line the Show Racks share of the market is evaluated at 40%. Over the years we have maintained a steady growth and are today the only establishment in the region capable of supplying a full range of equipment, products and accessories from ready stock, via our massive warehouse in Ajman, to meet the demands of the business community. You name it-We have it!

The main distribution centre is located in the heart of the city with the sales team available on call to meet and service customers all through the UAE. At any given time Show Racks Trading and their work force of 80 dedicated and skilled staff and technicians, can fill an order for setting up a 100,000 sq. ft. store at short notice and complete the project within 7 days flat. Our Clients list Splash, Shoemart, Homemart, Max, Emax, Iconic, Emarat Market, Emirates market, Union Co-op, Emirates Co-op United Hypermarket, Al Kabayal, Ramez Group, Green House Al Safeer Group of Cos, Shoe R U expression, Smart Baby, Al Safeer Market, Pic N Save, Shop N Save, New west Zone, west Zone. T.Choithram and Sons, Al Maya Group, Al Madina Group Al Shaya, Al Tayer, Atlantis, Dubai Mall.

Show Racks Trading also undertakes the turnkey projects from consultancy and designing of custom built interiors to installation and setting up of the complete store to meet with specific needs of their customers.

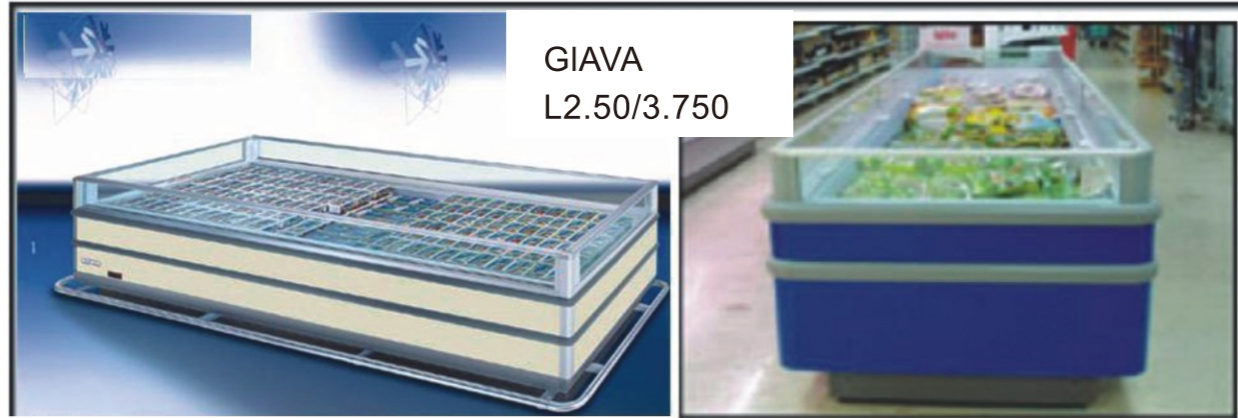
Contents-

ISLAND FREEZER-REMOTE UNIT.....	1	STEAM IRON AND FOAM HANGER.....	74
SURFRIGO-PLUG IN UNIT.....	2	DUST BIN.....	75
BRAND-AHT,AUSTRIA.....	3	CLEANING ITEMS.....	76
DGD-PLUG IN UNIT.....	4	SLATBOARD&ACCESSORIES.....	77-80
BOTTLE COOLER.....	5	SLATWALL BASKET AND SHELF.....	81
FRAMEC-PLUG IN UNIT.....	6	GRIDS & ACCESSORIES.....	82-83
FREEZER AND CHILLER.....	7	END SYSTEM&GLOBAL.....	84
MODERN EXPO WALL CHILLER.....	8	JAPANESE CHANNEL.....	85
SUPERMARKET TROLLEYS.....	9-11	BRACKET AND ACCESSORIES.....	86-87
WAREHOUSE HEAVY DUTY TROLLEY.....	12	RECTANGLE BAR AND ACCESSORIES.....	88-89
STANDARD PALLET CONTAINER AND ROLL CONTAINER.....	13	RECTANGLE AND ROUND POST ACCESSORIES.....	90
SUPERMARKET BASKET.....	14-15	JOKER SYSTEM.....	91-93
CHECKOUT COUNTER.....	16-19	PRIMO SYSTEM.....	94
SUPERMARKET ROTARY AND FLIP GATE.....	20	UNO SYSTEM.....	95
WEIGHT MACHINE PACKAGING.....	21	DB SYSTEM.....	96
VEGETABLE STAND.....	22	DRT SYSTEM.....	97
CASH REGISTER AND PRICING MACHINE.....	23	SOCKET SYSTEM.....	98
PRICE TAG AND PRICING MACHINE.....	24	OPTICO SYSTEM.....	99
PRICE HOLDER.....	25	PUCK SYSTEM.....	100
TAGGING GUN AND PIN.....	26	GLASS CLIP AND ACCESSORIES.....	101
SUPERMARKET SHELVING.....	27-31	BUST.....	102
BAKERY UNIT.....	32	TORSO.....	103
MORDERN EXPO-WINE SHELVING.....	33	MANNEQUINS.....	104-115
METRO SYSTEM-WIRE SHELVING.....	34-35	WOODEN HANGER.....	116
STORAGE SYSTEM.....	36-37	PLASTIC HANGERS.....	117-121
ANTI-THIEF LABEL TAG AND ACCESSORIES.....	38	WOODEN CASK.....	121
PUSHER SYSTEM.....	39	BREAD RATTAN BASKET.....	122
SUNGLASS STAND.....	40	PLASTIC MANNEQUINES.....	123
STANDS.....	41-48	NOTES.....	124
PROMOTIONAL DUMP.....	49-50		
DP STAND CHROME PLATE.....	51		
ARTHEMA STAND.....	52		
TABLE TOP STAND FOR TIE, EARRING, SCARF, HAT, SHOES.....	53		
LARGE DISPLAY DUMP.....	54		
POST.....	55		
CONVEX MIRROR.....	56		
SNAP FRAME.....	57		
ACRYLIC.....	58-59		
ACRYLIC STAND&COUNTER.....	60-61		
ALIAS BOUTIQUE SYSTEM.....	62		
PAGANI PALI.....	63-66		
STAINLESS STEEL STANDS.....	67		
A13-SYSTEM-SS MATERIAL.....	68		
GLOBAL SYSTEM.....	69		
WOODEN CHANNEL.....	70		
GLOBAL A12 SERIES.....	71		
FW40X40-SYSTEM&WINDOW DISPLAY SYSTEM.....	72-73		



ISLAND FREEZER-REMOTE UNIT

DERIGO REFRIGERATION



GIAVA
L2.50/3.750

1

2



SICILIA DOUBLE
3



TIMOR
4



EURO BALI-
L2.00/2.50/3.75

5



TASMANI
L2.5/3.750

6



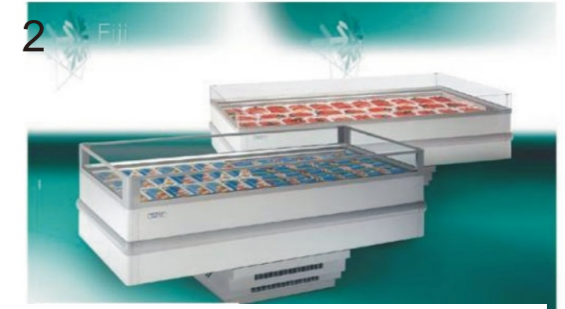
SURFRIGO-PLUG IN UNIT



1

EPUKET
L710H310

2



L1.50/2.00/2.50 FIJI-AURANZO



3

TEIST L937/1.25/1.87/2.50METER

4



ISABEL

KAI

5



L1.25/1.87/2.5/3.75

TWIST



6

CLIL13P2343H20
CLIO




MADERIA


L1.87


7




BRAND-AHT,AUSTRIA
MODEL PARIS,BULTIN UNIT,UNIVERSAL MODEL

1  **KINLEY XL210**

2  **PARIS250/210/185**

3  **SYDNEY XL Sales Space**
50 mm more depth
863 mm
SYDNEY210XL

4  **PALMA185**
Eco- und FKW-frei
Verfügbar mit



DGD- PLUG IN UNIT

1  **MODEL - Atlantid**
Size -1Meter,1.5, 2.0,2.5 meter
Width-1.104,Height 1.163
Brand -DGD,Made in Italy

2  **EVOK**

3  **Capri**
Size-1Meter,1.5, 2.0,2.5 meter
Width 855,Height 1.945
Brand-DGD,Made in Italy

4  **CAPRI**

5  **EVO**

6  **VERONA**

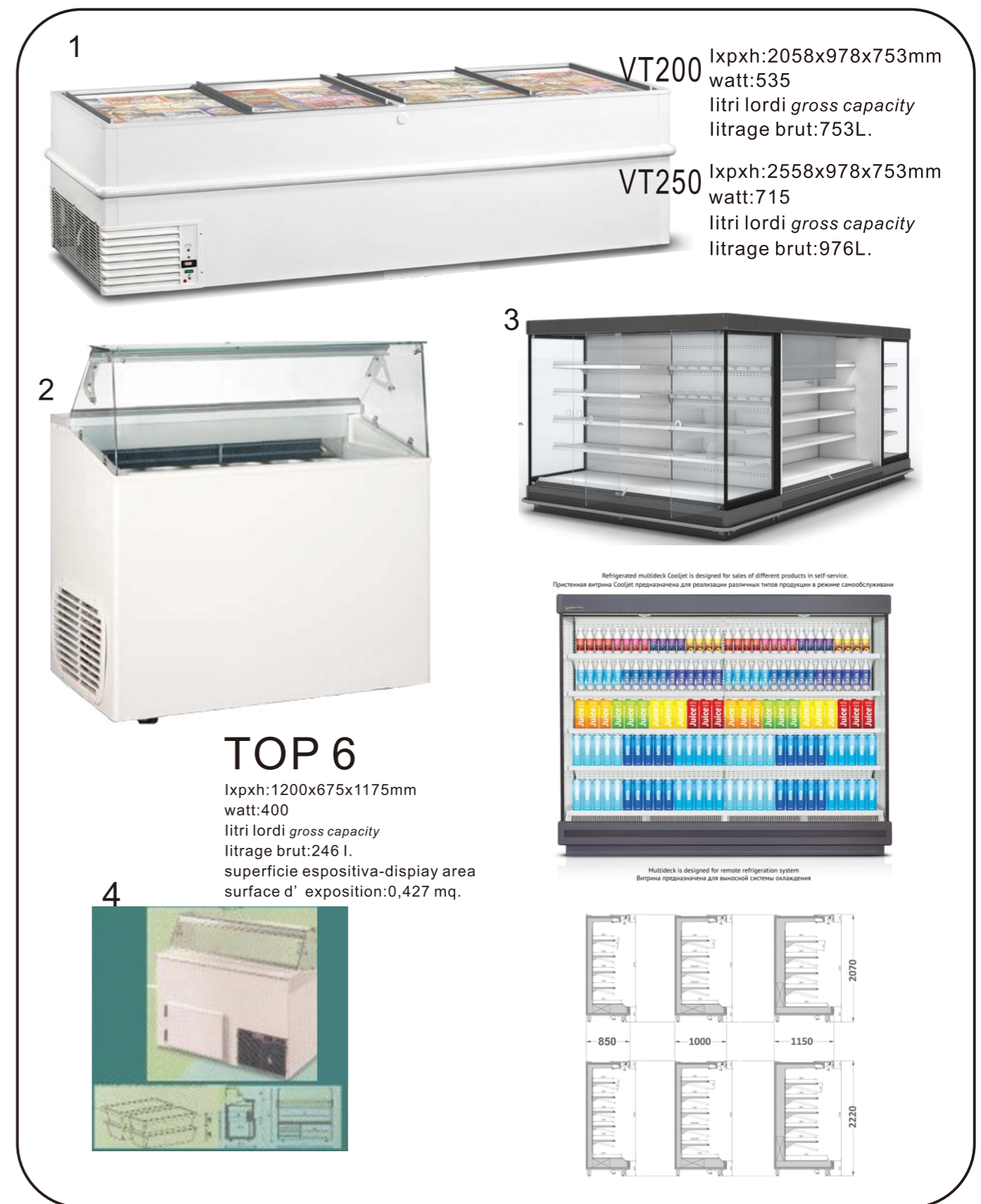
7  **SIZE L1.0,1.5x2.0x2.5**



BOTTLE COOLER
Brand: Ugur

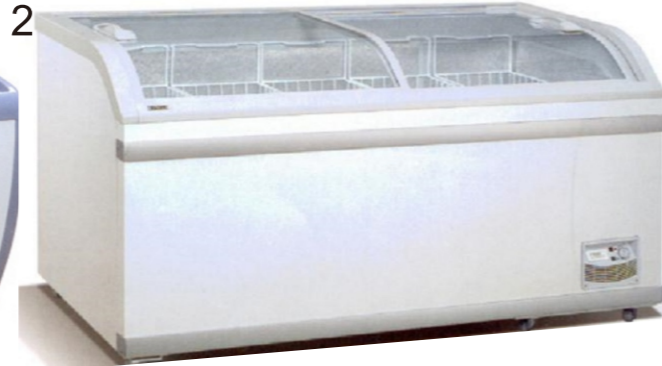


FRAMEC-PLUG IN UNIT





FREEZER AND CHILLER
BRAND: XING XING



XS-360Y

Unit dimension (WxDxH) mm	1260 x 705 x 875
Gross capacity(L)	360
Net capacity(L)	360
Freezing capacity(L)	360
Temperature range	≤ -18°C
Freezing ability	***
Climate	N/ST
Basket QTY	3

Unit dimension (WxDxH) mm	1475 x 757 x 837	Temperature range	≤ -18°C
Refrigerant	R134a	Freezing ability	***
Net weight(kg)	80	Climate	N/ST
Gross weight(kg)	95	Basket QTY	5



Exporting model no.	XS-400P	XS-550P	XS-650P
Factory model no.	SD-376BP	SD-516BP	SD-636P
Gross capacity(L)	400	550	650
Net capacity(L)	368	516	636
Freezing capacity(L)	368	516	636
Temperature range	≤ -18°C	≤ -18°C	≤ -18°C
Freezing ability	***	***	***
Climate	N	N/ST	N/ST
Basket QTY:	4	5	5
Unit dimension (WxDxH) mm:	1454 x 764 x 880	1883 x 823 x 880	1973 x 823 x 945
Packing dimension (WxDxH) mm:	1523 x 837 x 1075	1940 x 880 x 1075	2030 x 880 x 1140
Refrigerant	R134a	R134a	R134a
Net weight(kg)	69	82	88
Gross weight(kg)	84	102	108



Exporting model no.	XLS-350W
Factory model no.	LSC-338CF
Gross capacity(L)	350
Net capacity(L)	338
Temperature range	0 - 10°C
Climate	N
Shelves QTY:	4
Unit dimension (WxDxH)	615x590x1985
Packing dimension (WxDxH)	710x670x2065

SDF1400AL
2 DOOR BOTTLE COOLER



SG19L3



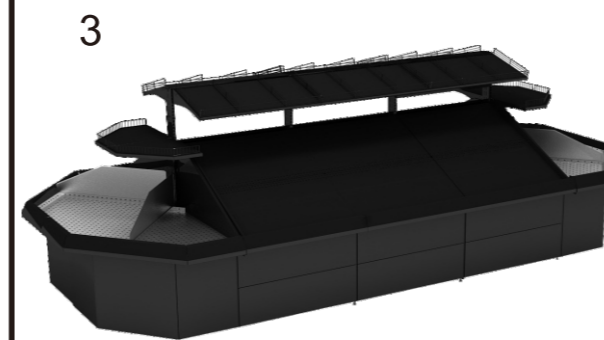
MODERN EXPO WALL CHILLER



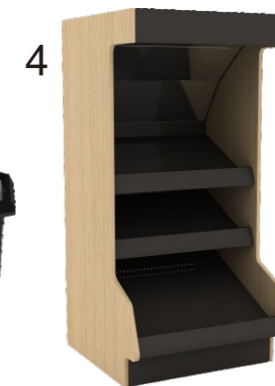
CoolJet



CoolJet



F&V Island



F&V Wall Unit



FV-WALL-1MTR



SUPERMARKET TROLLEYS



SHOPPING TROLLEYS





SHOPPING TROLLEYS PLASTIC



CM90POLY



CM2220POLY



CM140POLY



CM140POLY



EK080L-RED

EK080L-RED=TOROLLEY PLASTIC EKO RED RAL3020 90LIT
EK080I-BLACK=TROLLEY PLASTIC EKO BALCK 80LIT
EK080LIT-BLUE=TROLLEY PLASTIC BLUE RAL5018 80LIT
EK080LIT-GRN=TROLLEY PLASTIC GREEN RAL6018 80LIT



WAREHOUSE HEAVY DUTY TROLLEY



KLO-LH-5
L900* W480* H1010(mm)



KLO-LH-10
L1500* W740* H990(mm)



KLO-LH-8
L945* W565* H995(mm)



KLO-LH-2
L1255* W530* H950(mm)



KLORT2



CM1089



7



STANDARD PALLET CONTAINER AND ROLL CONTAINER



1



2

CAPEUR 1210X810X925



3

YBL07 830x705x1750mm



4

80X70X1600

CM871045



SUPERMARKET BASKET



1

CESTO280

RED, BLUE, YELLOW, ORANGE



2

BASKET STAND



3

IB432R



4

CESTO13L
CAPACITY-13LIT
SUITABLE FOR
PHARMACIES, AND
PERFUMERY SHOPS



5

PB432



8

PL01R



7

HDA0103



9

Basket stand



6

COLLAPSABLE BAG



10

BLACK



11



12



13

DU42X80-BASKET
COLLAPABLE BAG



SUPERMARKET BASKET

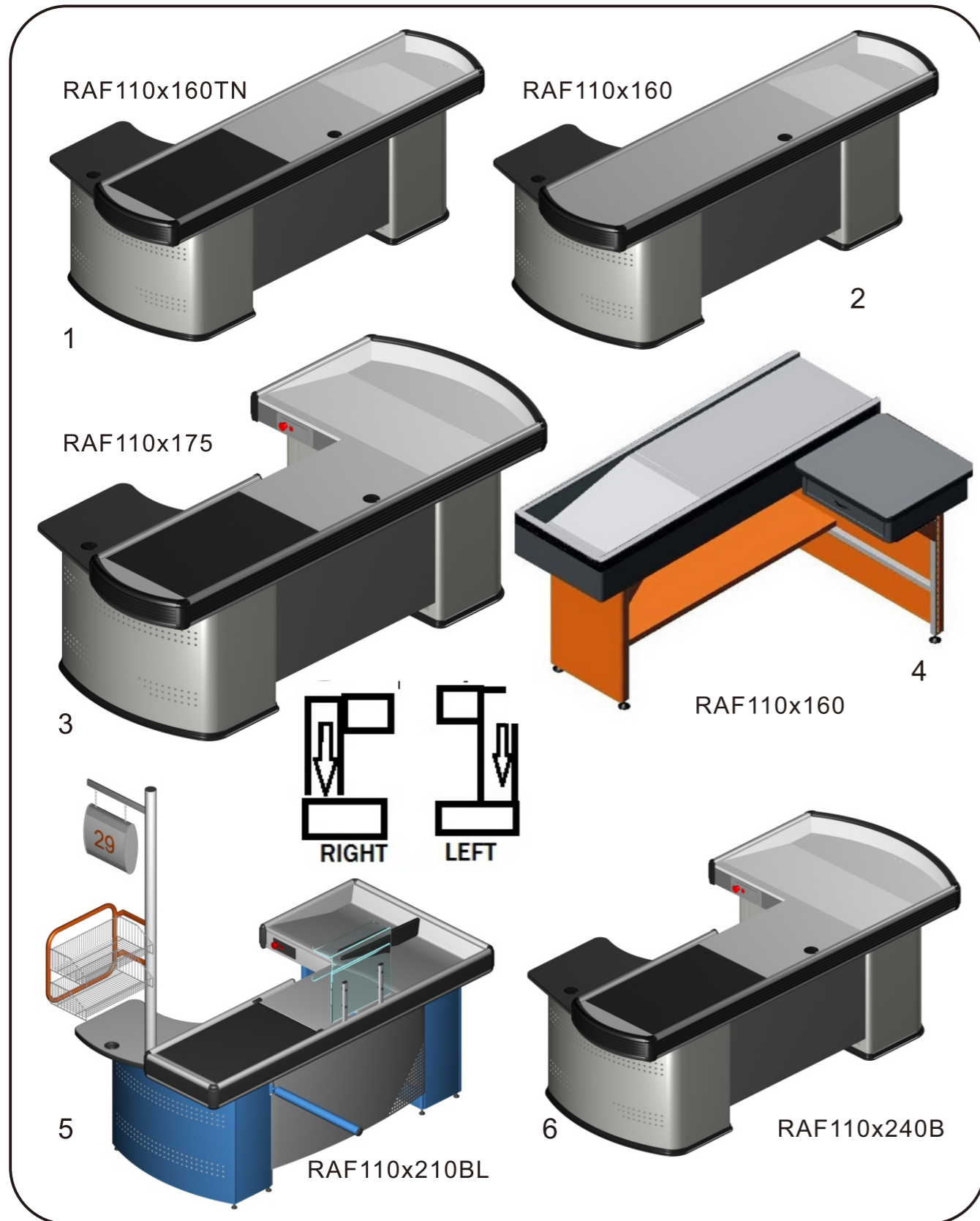


META CHECKOUT COUNTER MADE IN ITALY

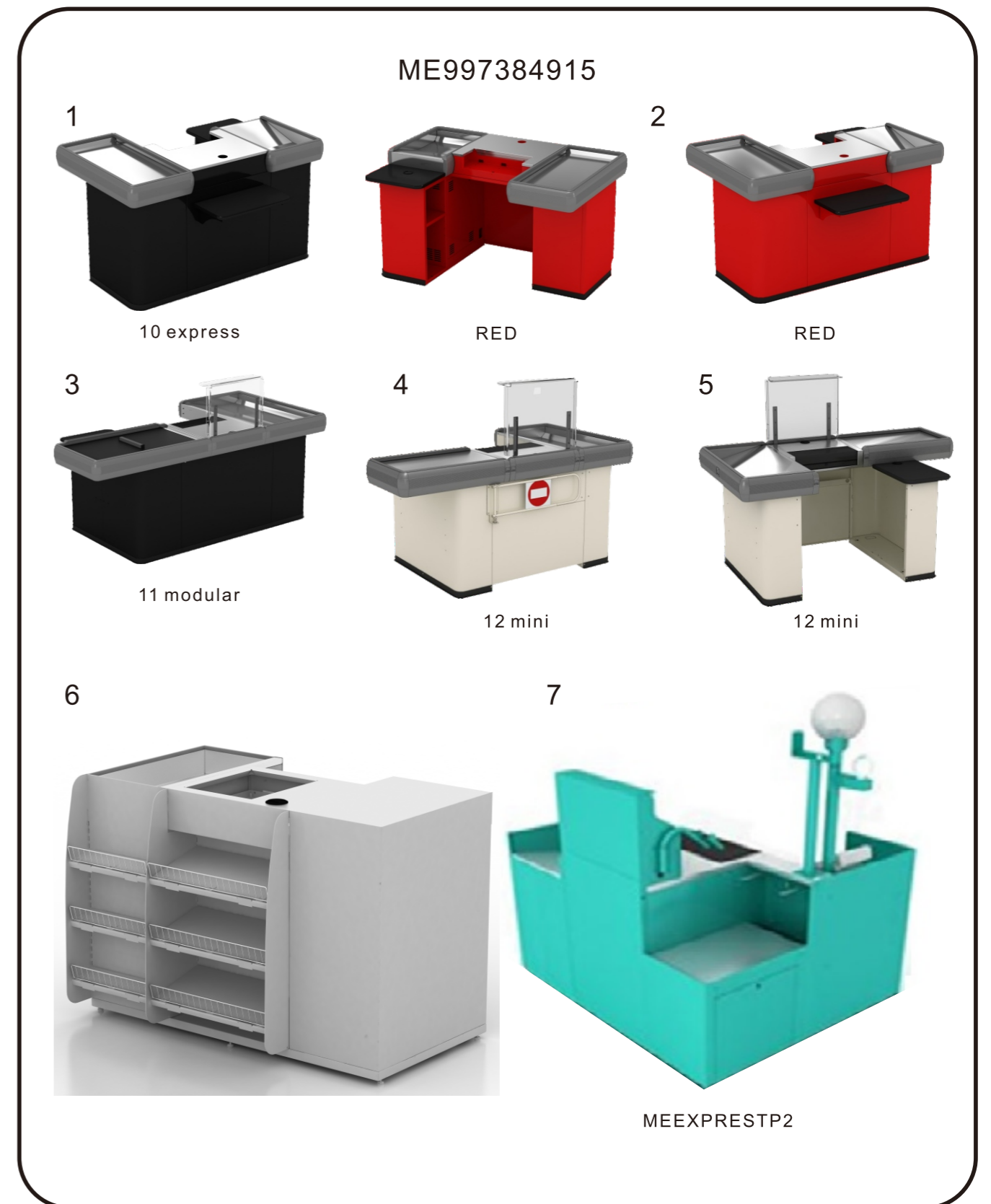




MADE IN TURKEY

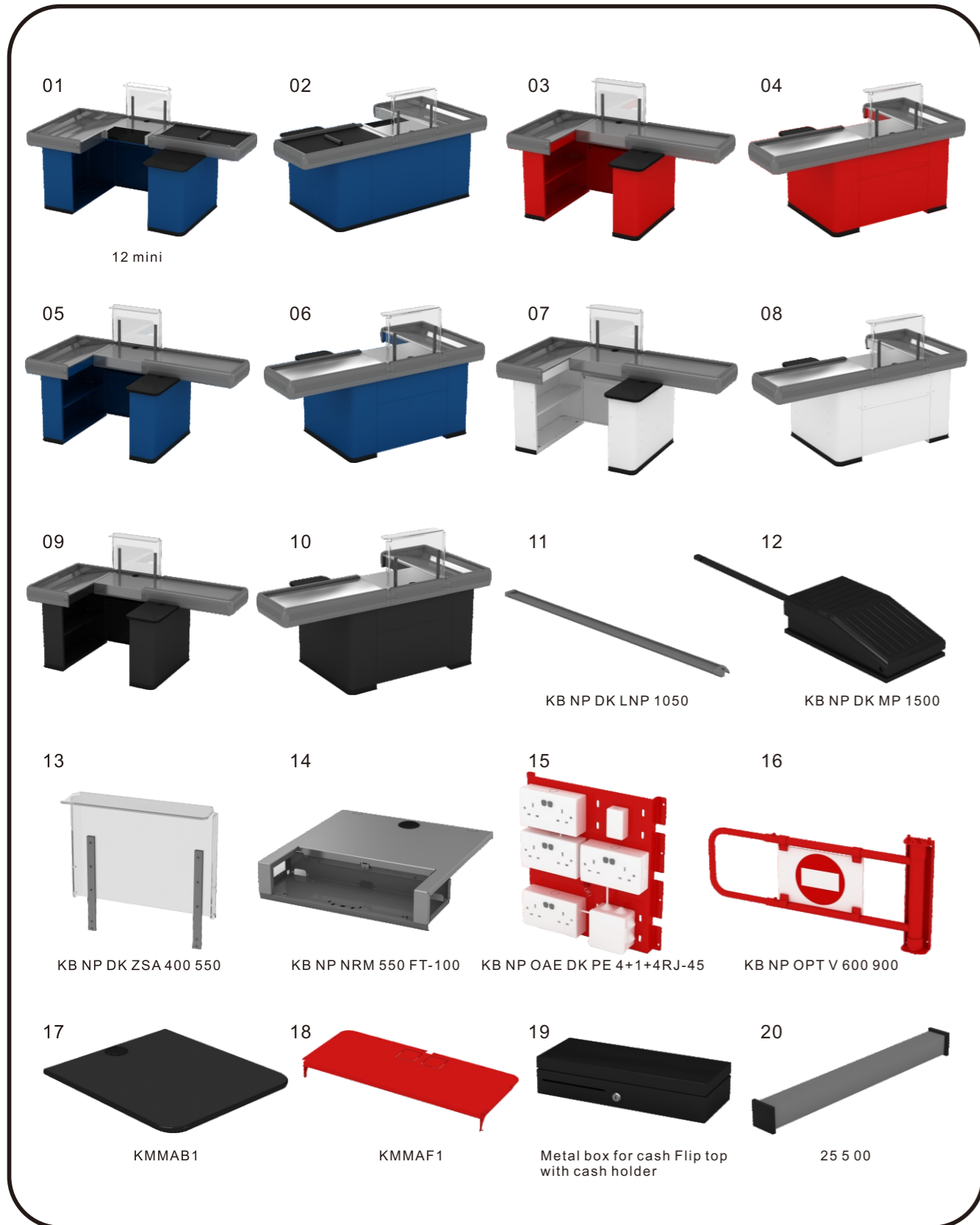


MORDERN EXPO-CHECKOUT COUNTER

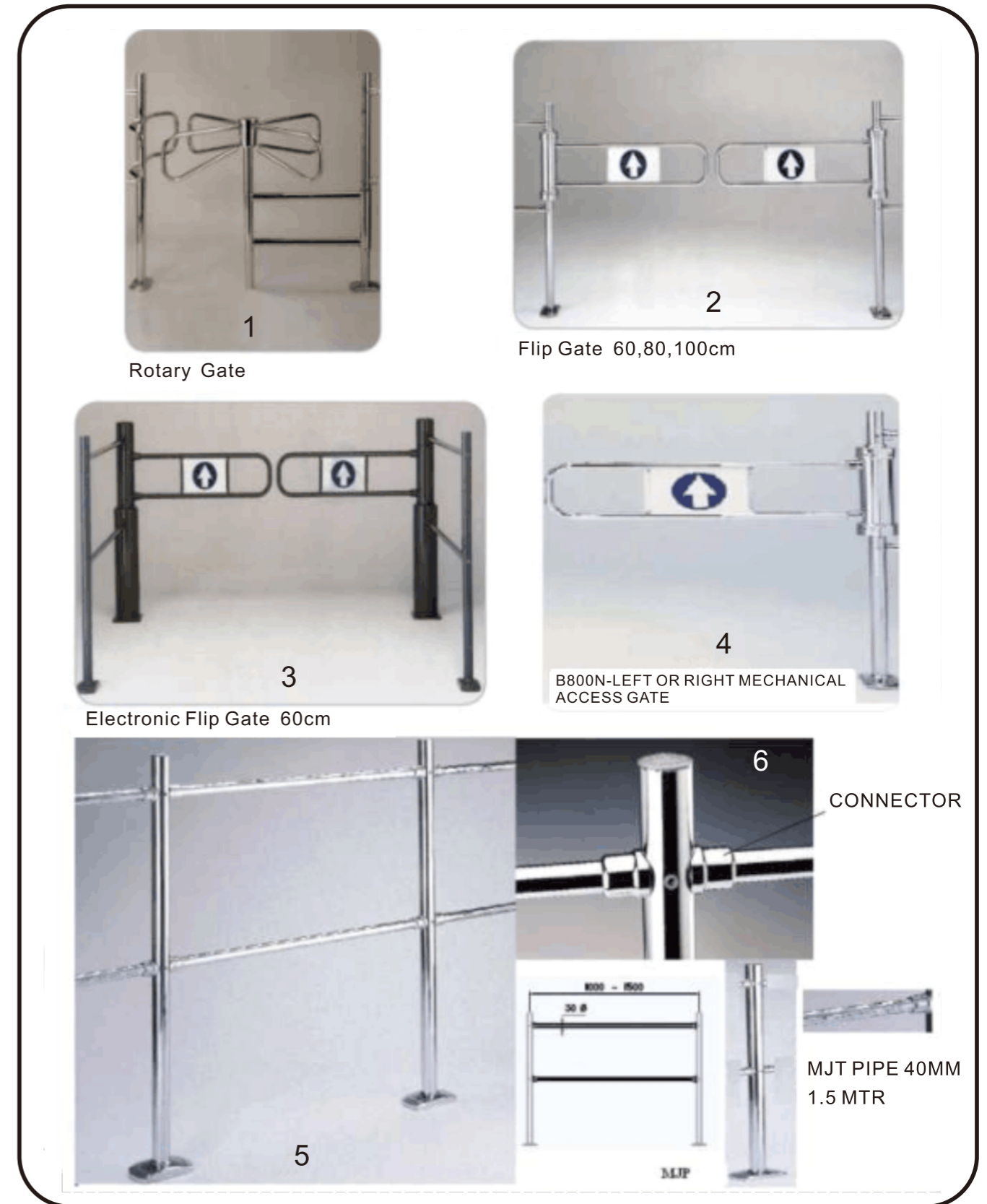




CHECKOUT WITHOUT BELT



SUPERMARKET ROTARY AND FLIP GATE





WEIGHT MACHINE PACKAGING

1 60mmx40mm
60mmx32mm

Chocolate Chip Cookies
PACKED ON 23/10/02 | SELL BY 02/11/02 | PRICE PERkg 1.00 | NET WT kg 0.200
No. PRICE (\$) 1 0.20
2 112345 000206
M°TEX

2 SHRINK WRAPPER ROLL
WH200-200MM

3 HAND WRAPPER
MTX-O4

4 BAG SEALER

5 HAND SEALER
SM400-400MM
SM300S-300

6 PEDAL SEALER

7 INSECT KILLERS

8 NIK2120

9 NIK280



VEGETABLE STAND

1

COMPLET UNIT as in image
END 1.0 meter+1.0 meter

SCJ 04
1200(L)*800(W)*1000(H)

2

3 SCJ07
1200(L)*800(W)*1000(H)

4 SHSG-B

5

6 Bag Sealer



CASH REGISTER AND PRICING MACHINE



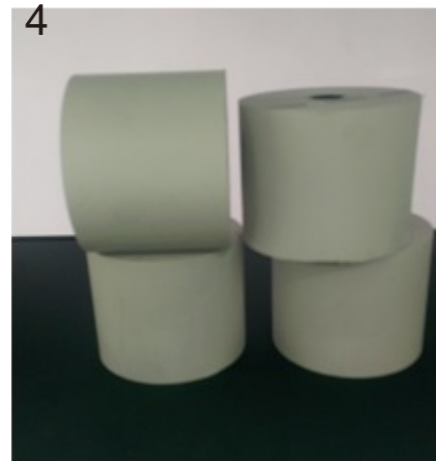
TE-4000F



UA8050-SES10



SE-S400
<1-sheet model>



Thermal Roll



PRICE TAG AND PRICING MACHINE



PT2612W-26*12/21*12



PT2612Y-26*12/21*12



JOLLY SINGLE LINE
JH8



JOLLY DOUBLE
JH8DBL



UA8032-BLITZ 8



UA8034-BLITZ 16
DOUBLE LINE



UA8030



PRICE HOLDER

01 02 03 04 05 06



B1 B2-1 L11 L11-2BLUE S26 S36 H820~1510mm

07 08 09 10 11



S5 S10 L9 S6 S4

12 13 14 15



M3 M4 GC-563-1 GC-563 GC-563-2 N6 N3

16 17 18 19 20



N12 S3 C16-C20 B6 B7 B8 S14 R9

21 22 23 24



A3 420X297 A4 297X210 A5 210X148 S11 T25 R16 R16



TAGGING GUN AND PIN

1 2



GQ1093 DA2050

▶ P102 TAG PIN STD-MICRO-SPACE & TAG PIN FINE MICRSAPCE

3 4



DA2019 -30,35,40MM

LOOP12 LOOP7 LOOP9

▶ P104 HOOK PIN & RING PIN

5 6



HOOKPIN15MM



SUPERMARKET SHELVING



Wall unit 2387 9001



Wall unit 2387 90081



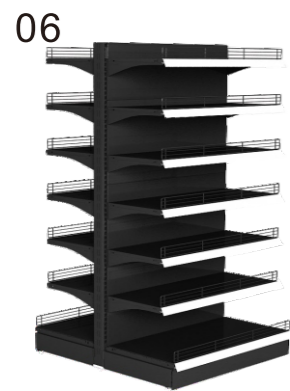
Wall unit 2387 9005



Shelving confectionary



Shelving confectionary



Gondola unit 1778 9005



Gondola unit 1778 90081



Front upright 2387 9001



Gondola unit 1778 9001



SUPERMARKET SHELVING



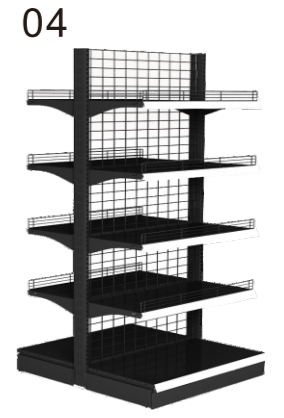
Front upright 2387 90081



Front upright 2387 9005



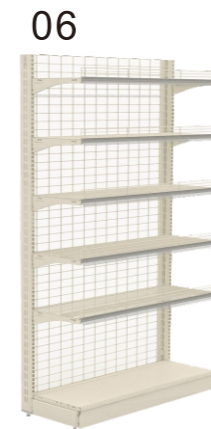
Wire Gondola Unit 9001



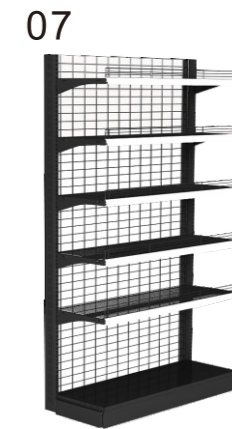
Wire Gondola Unit 9005



Wire Gondola Unit 90081



Wire Wall Unit 9001



Wire Wall Unit 9005



Wire Wall Unit 90081



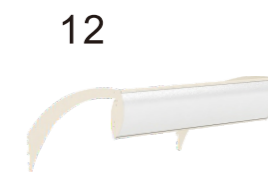
Canopy Type



Canopy Type



Canopy Type



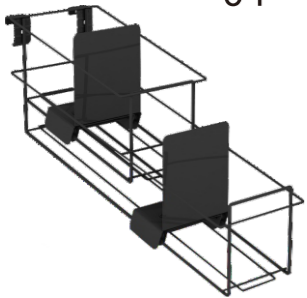


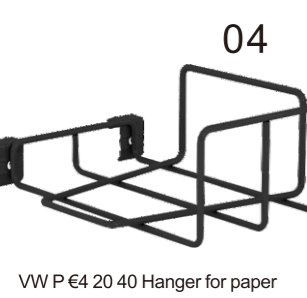








Canopy Type



Canopy Type











ACCESSORIES FOR SHELVING

<p>01</p> 	<p>02</p> 	<p>03</p> 
<p>04</p> 	<p>05</p> 	<p>06</p> 
<p>07</p> 	<p>08</p> 	<p>09</p> 
<p>10</p> 	<p>11</p> 	<p>12</p> 
<p>VW KLG 500 Hook for tights</p>	<p>VW M 8 500 20 40 Hanger for balls</p>	<p>VW MLT 400 20 40 Hammer hook</p>
<p>VW P €4 20 40 Hanger for paper</p>	<p>VW PL 324 20 40 Hook for curling iron</p>	<p>VW PR 200 20 40 Perforator hook</p>
<p>VW PS 250 20 40 Hanger for iron</p>	<p>VW SR 350 230 20 40 Hanger for shirts</p>	<p>VW WP 300 70 20 40 Hanger for pallet knives</p>
<p>VWO 8 300 20 40 Single hook on bar</p>	<p>VWTP 25 300 20 40 Hanger for clothes</p>	<p>VWTPN 25 300 20 40 Inclined hanger for clothes</p>



SUGLONG –SUPERMARKET SHELVING

Upright Size H=300, 240, 210, 195, 165,150, 135
 Base Size = 70+70, 60+60, 50+50, 40+40, 30+30
 Shelf Size = (a). 100x70, 100x60, 100x50, 100x40, 100x30
 (b). 120x70, 120x60, 120x50, 120x40, 120x30
 (c). 60x60, 60x50, 60x40, 60x30

<p>Wall unit</p> 	<p>Perforated</p> 	<p>Wall unit&canopy</p> 	<p>Gandola</p> 	<p>1 2 3 4 5</p>
<p>1</p>  <p>GANDOLA UNTT</p>	<p>2</p>  <p>WALL UNTT</p>	<p>3</p>  <p>END UNTT</p>	<p>4</p>  <p>Perforated unit</p>	



SISMA- SUPERMARKET SHELFING

1 WALL UNIT (P=100 cm)

2 WALL UNIT

3 END UNIT-3

4 GANDOLA-2

5 WALL UNIT WITH STORAGE

6 PL3X350-350, 400

7 PLATE HOLDER

8 BAKERY

9 WALL UNIT WITH CANOPY

10 GANDOLA-BOTH SIDE SHELF (P=100cm)



BAKERY UNIT

01 Bakery unit

02 Bakery unit

03 Bakery unit

04 Bakery unit

05 Bakery unit

06 Bakery unit

07 Bakery unit

ACCESSORIES FOR SHELVING

01 KM VNHO 400 550 Inclined hanger for clothes

02 KM VSO 6 300 Hook

03 KM VSO C 6 300 Hook with price holder for perforated back panel

04 KM VW VZ 400 20 40 Hanger for shoes

05 KM VWO C 6 300 20 40 Single hook with price holder

06 KM VVTS 25 415180 20 40 Stepped hanger

07 VRO 6 300 Single hook for wire back panel

08 VRO C 6 300 Single hook with price holder for wire back panel

09 VW BLN 350 20 40 Hanger for blender

10 VW FN 150 20 40 Hanger for hairdryer

11 VW FNV 300 20 40 Vertical hanger for hairdryer



MORDERN EXPO-WINE SHELIVING



Wine Unit Type



Wine Unit Type



Wine Unit Type



Wine Unit Type



Wine Unit Type



Wine Unit Type Wire



METRO SYSTEM-WIRE SHELIVING

CODE	SIZES
METR01824-	METRO 45X60X180CM
LC4048	METRO 35X90X180CM
GQ1094	METRO 45X90X180CM
METR021X36	METRO 53X90X180CM
MET3624	METRO 60X90X180CM
GQ1095L	METRO 45X120X180CM
METR021*48	METRO 53X120X180CM
METR021*72	METRO 53X182X180CM

CODE	SIZES
METR02448NK-	METRO SEAL 53X120-4LEVEL
METR02448NK3	METRO SEAL 60X120-4LEVEL
METR02460NK	METRO SEAL 60X150-4LEVEL



METRO SYSTEM-WIRE SHELFING



GQ1095L 1

NO.05: BUT-L18 36 62-4
SIZE: 915×460×1590



2



GQ1095L-45X120 3



- RH18
- RH14
- RH36
- RH48

RA1436 =PERFORATED SHELF 36*90
PWDR COT -4SHELF+4POST
RA1836 =METRO PERFORATED 46*90
PWDR COAT -4SHELF+4POST



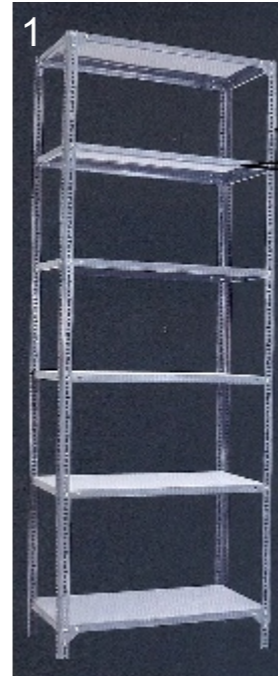
5 53X150



6



STORAGE SYSTEM



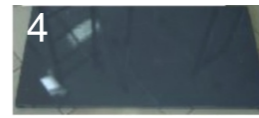
1



2

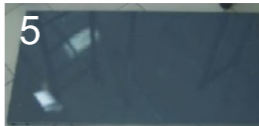


3



4

SHEL 30X90



5

SHEL 45X90



6

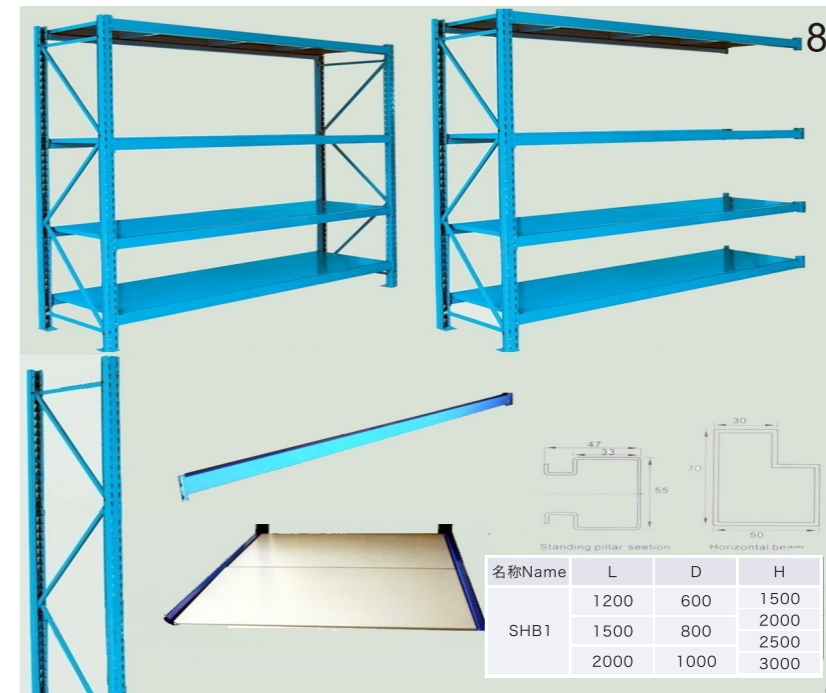
SHEL 60X90

HEAVY DUTY SHELFING



7

MEDIUM DUTY



8

名称Name	L	D	H
SHB1	1200	600	1500
	1500	800	2000
	2000	1000	3000



STORAGE SYSTEM HEAVY DUTY

Step Beam is available to put the shelf on it

名称Name	L	D	H
SHB2	1500	600	2000
	2000	800	2500
	2700	1200	3500



ANTI-THIEF LABEL TAG AND ACCESSORIES

1 ATMCNDTCH

2 DR Soft Lable

3 Magnetic Detacher

4 ATWIRLS7B

5 ATPTG46X13X19

6 ATPNCLANAG54X12X19

SECURITY LOCK FOR HOOKS

7 PLASTICLOCK11

8 PBH8D

9 UHOOK10

10 UHOOK12DPH

11 UHOOK10P

12 SINGLOCK

13

14 SUTP87-200 200mm

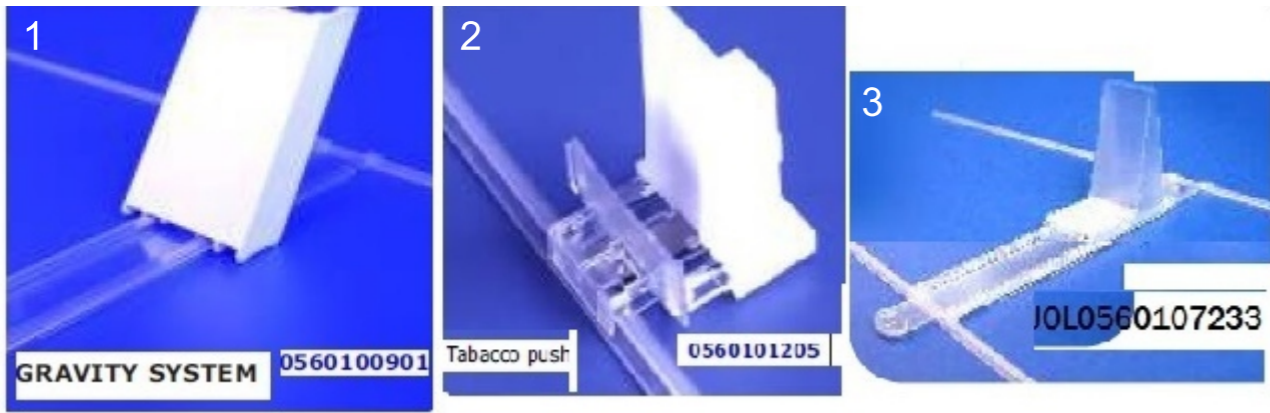
15 SM2015

16 GQ860A



PUSHER SYSTEM

PRODUCI FEEDER PUSHER



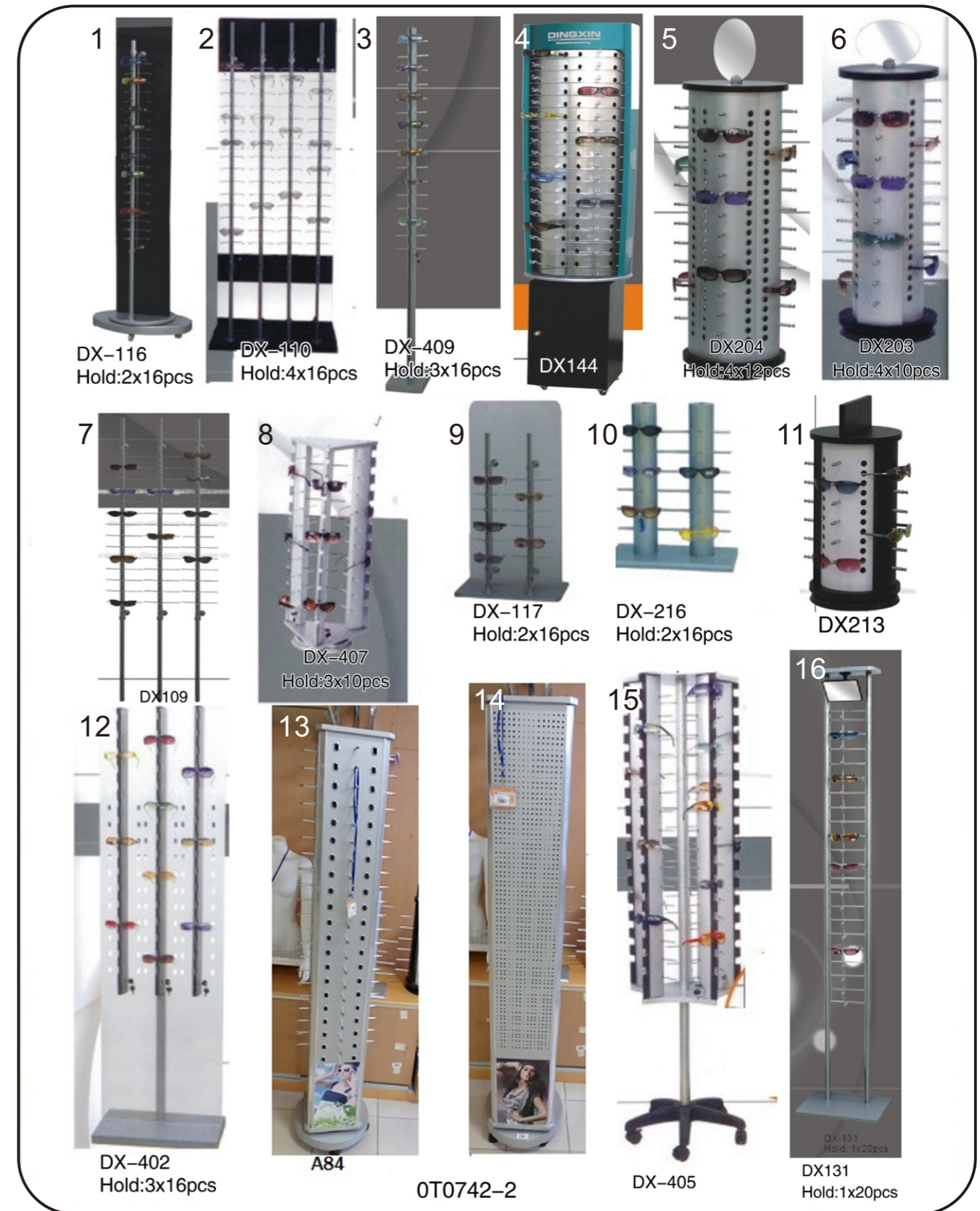
SNAP ON DIVIDER



TEGO DIVIDERS



SUNGLASS STAND





STANDS



STANDS

